

**Ritter Contact World.**  
Leading the way in  
functionality and design.



Ritter Contact World.  
Your work unit.



A dental unit based on more than 130 years of experience, continuous product development and ongoing improvements.

## Best of.

### Seating comfort in a league of excellence.

The Ritter Contact World chairs meet all the requirements for optimized patient positioning in the treatment situation.

- Unique simultaneous movement (Trendelenburg) for separate control of the backrest and seat.
- Safe and comfortable positioning, even in extreme treatment situations
- Compact, space-saving design
- Seamless surfaces and upholstery for easy disinfection
- Flexible control via foot pedal and function displays
- Chair height 35 - 85 cm
- Optional: right armrest movable

Highest seating comfort:

Optional with special ViscoSoft cushion which shapes and adapts flexibly to the body

### Quality – made in Germany.

Anyone who works with a „Ritter“ is well equipped for the challenges of everyday practice.

The solid and well thought-out craftsmanship is based on our many years of experience.

Ritter dental units are reliable, robust and durable.

We use only the highest quality materials.

The Contact World is made mainly of metal and painted throughout.

Installation, service and maintenance are

conceivably simple, thanks to easy access and cleverly arranged components.

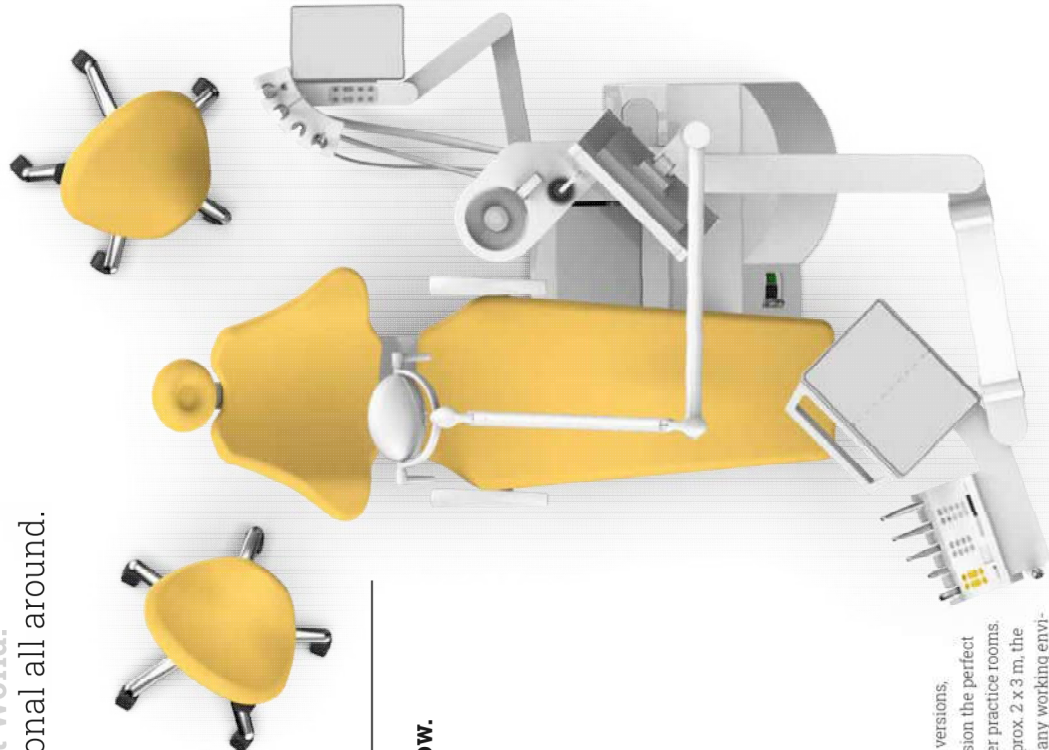
Your Contact World is a unit that offers you complete flexibility in performing demanding dental treatments. It is a dental unit that has been carefully designed down to the smallest detail and is a true design classic.



## Ritter Contact World. Highly functional all around.

The Ritter dental unit is a high quality workstation where the working and reaching distances fit 100%. It offers maximum freedom for a natural, intuitive posture.

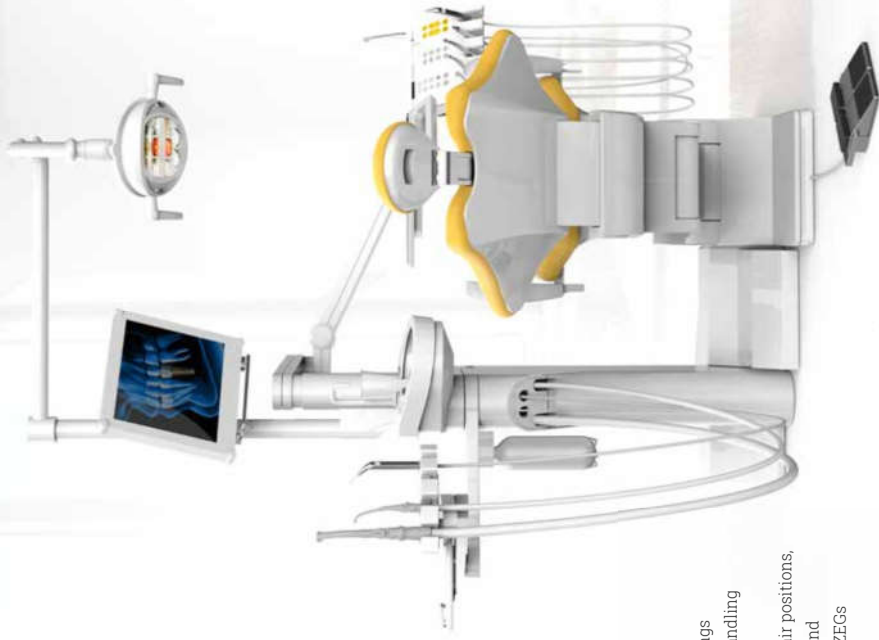
### Efficient workflow.



### Dimensions.

The Contact World has in all versions, whether as H-, S- or cart-version the perfect dimensions - even for smaller practice rooms. With a radius of action of approx. 2 x 3 m, the slim unit adapts perfectly to any working environment. The work area luminaires can be ordered as ceiling-mounted or unit-mounted.

Note: A total of 2 connection points (1 standard / 1 alternative) provide additional flexibility to fit the unit in any treatment room!



### Ritter Contact World.

- Innovative instrument control with graphic display, numerous user settings and memory functions for perfect handling
- Simple, intuitive programming of chair positions, presets such as speed pre-selection and max. speeds of motors, turbines and ZEGs
- Create up to 4 individual user levels e.g. for 4 different operators/doctors
- Sophisticated 4-pedal foot control with control of all main functions for quick and easy operation
- Hygienic and very easy-to-clean smooth surfaces save time and effort
- Plenty of knee and leg room for the dentist and the assistant enable an ergonomic and effortless workflow

### Professional Elegance.

The design concept and quality of the Contact series is consistently focused on the highest demands of everyday practice.

With clarity and elegance, a perfect blend of utility, function and aesthetics has been created, making Ritter Contact World one of the most beautiful dental units on the market worldwide.

**Ritter Contact World.  
Dentist elements.**

**Contact World swing arm.  
Sculptural and functional.**

A modern and timeless design language, smooth and easy-to-clean surfaces characterize the swing arm. The smooth-running, gas pressure spring-supported swing arm is activated by sensors. When the handle is released, the brake becomes active and prevents unintentional movement of the dentist element.



All Ritter dental units of the Contact series are available in the different versions S, H, C, HC to provide optimum support for each user in their working method.

**Excellent handling.**

**HC Version.  
Hanging hoses with cart head.**

The quiver tray of this HC version with hanging tubes is more conventionally designed like that of the H version, with the tray directly above the instruments. The cart head can hold up to 6 instruments in any order, controlled by the foot pedal when in use.

**H Version.  
Hanging hoses.**

In the H version, the dentist element on the swing arm is equipped with hanging tubes and a large tray support. The dentist element can be moved very close up to above the patient and guarantees optimum handling with a small working radius of the five instruments.

**S Version.  
Swinging hoses.**

The S version with swinging hoses is particularly popular abroad. Each instrument can be easily and ergonomically removed and returned without effort. The proven swing-bar system minimizes contamination, as the tubes have no contact with the floor and thus glide cleanly into the resting positions.

**Cart Version.  
Stand alone.**

The flexibility of the mobile stand alone is undisputed: It can be moved freely around the entire unit and guarantees optimal freedom of movement, especially in narrow spaces. The cart stand alone version can be perfectly combined with a large (unit-mounted) tray holder. The cart fits all dental treatment units and is independent of the patient chair manufacturer.

## Ritter Contact World. Control.

### Intraoral camera. Precise images with Easy Touch.

The optical system of the Ritter intraoral camera is equipped with an aspherical lens that produces geometrically correct images without distortion. Thanks to the large angle of view and the wide-angle lens, even hard-to-reach regions of the mouth are perfectly visible.

With the touch-sensitive button, you create snapshots without having to move the handpiece. So you can always rely on your unblurred images.

### Maximum vision.

- Bright, clear image under all conditions
- Plug & Play technology - install and work
- Internal supply box of the camera
- Autofocus function with max. depth of field (5 mm to unlimited)
- Max. Viewing angle of 80°-105° due to the curved shape and rounded headpiece
- Uniform illumination of the oral cavity thanks to extremely bright and powerful LEDs (shadows and reflections limited to a minimum)
- Exceptional high image quality thanks to a lens that prevents any distortion
- Various integration options (table, wall, PC version, in the dental unit)
- Illumination: 8 LUX

### Contact World. Control display.

The clear and concise multifunction display allows easy and intuitive chair & instrument control.

The alphanumeric display shows the status of the respective instruments.

Speed, torque of turbines/motors, treatment positions of the patient chair (e.g. entry and exit position) and presets of up to 4 different operators can be freely programmed.

The Ritter control elements are highly resilient. The operating time and cost efficiency are enormous due to their simplicity.

### Simple yet complex.

No multiple key assignment the Ritter-control-system provides a separate key for each function. The result is a very simple, intuitive control of the functions. This direct and easy handling is especially noticeable during difficult OP's and treatments.

### User-friendly and intuitive navigation.

### Contact World. Foot pedal control.

- Easy and comfortable to use
- Solid stand
- Transmission-safe handling due to the wired connection.
- Individual control of the F1-F4 functions
- Perfect weight balance when shifting with the tip of the foot
- Material: metal with plastic grip

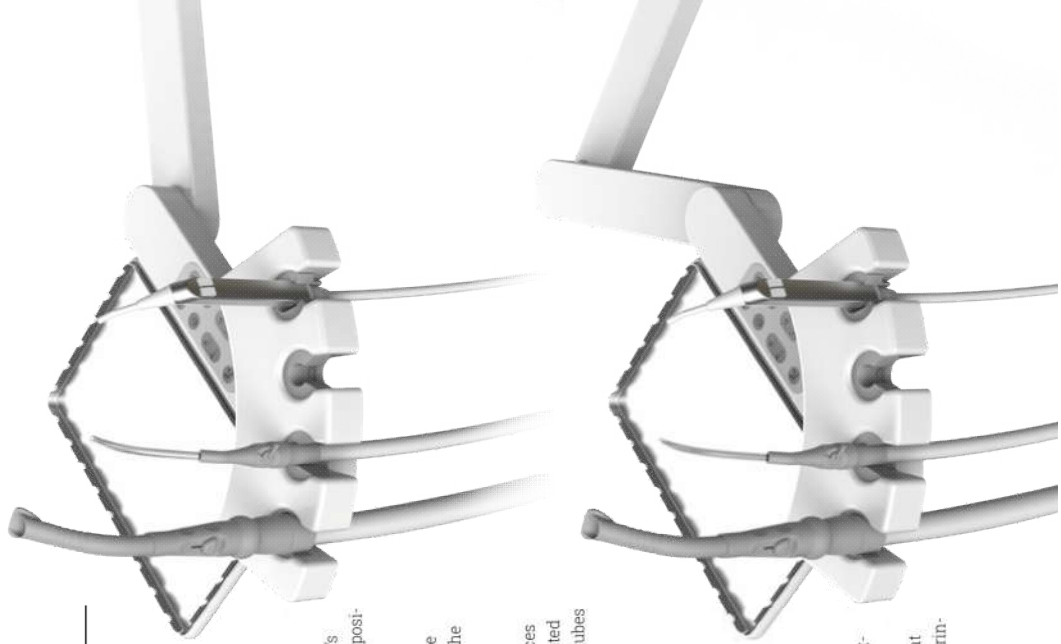


## Ritter Contact World. Assistant element.

Optimize your workflow.

Whether standing, sitting, at 12 o'clock...

The freely positionable assistant element is there for you in every situation.



### A perfect interaction.

#### Two-part arm system.

The two-part instrument arm on the assistant's side allows flexible positioning in any patient position and treatment situation.

All main functions of the treatment unit can be controlled with the touch panel integrated in the articulated arm.

The ergonomic design of the suction handpieces enables fatigue-free treatment. The sophisticated and neat suspension effectively prevents the tubes from twisting.

#### Three-part arm system.

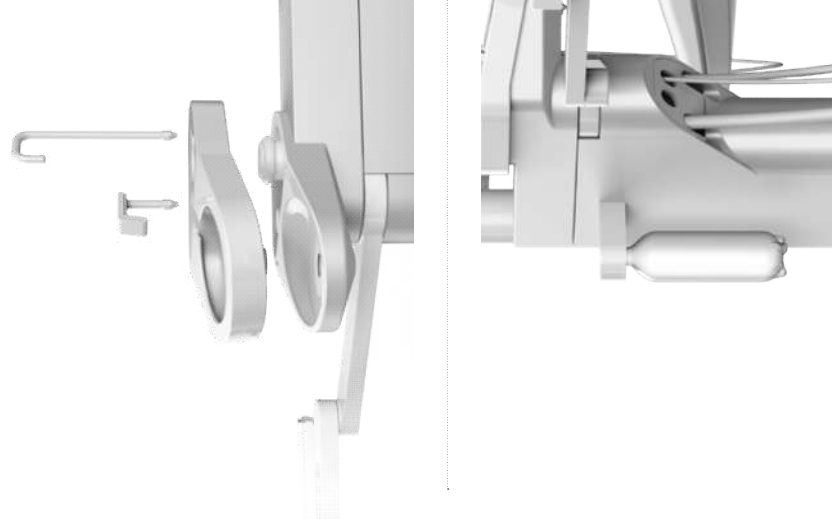
Even more space-saving and flexible in the positioning. Freely swiveling 3-joints give you more room for maneuver during treatment.

The slim assistant element controls the patient chair, operating light, suction, spray aspirator, rinsing bowl and cup filling.

## Safety first.

The Ritter Contact World was designed for fast and effective cleaning. All critical areas and components are easy to reach and thoroughly disinfected. The surfaces are smooth and without corners and edges and can often be removed with a flick of the wrist.

### Cleanly solved.



#### Instrument rinsing.

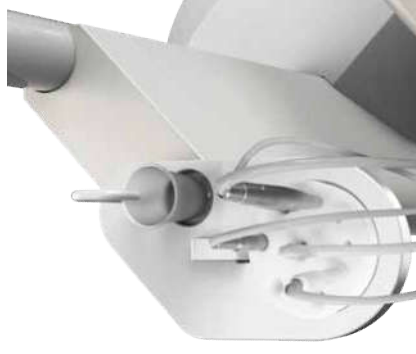
The rinsing hood enables disinfection in a hygienic and simple way. The hood is placed on the cuspidor. Internal components are particularly easily accessible.

#### Cuspidor.

The integrated instrument rinsing (optional rinsing hood) and the easily accessible internal components allow easy disinfection. Critical components, which experience has shown to be quickly contaminated, can be removed and disinfected.

#### Aqua Bottle System.

With the bottle solution, all internal water pathways are completely disinfected. Internal disinfection system WEK Metasy is available as an additional option.



## Ritter Contact World. From experts for experts.

You want to treat in an ergonomically healthy posture?  
Then the Contact World is the proper unit for you.

### A smart investment in your own health.



#### Accommodating.

The Contact World cuspidor is optionally available in a swiveling design.

The porcelain bowl is removable, so critical and quickly contaminated components can be easily removed and disinfected. (See hygiene section)

#### Trust starts in the head.

- 1- joint headrest with seamless comfort cushion
- Quick and easy positioning with the left hand
- Comfortable positioning of the patient's head
- Flexible articulating headrest
- Optional two-hinged headrest and child head wedge

#### Simply one handed.

Our headrests are completely easy to use. With a single movement, the extension and inclination are adjusted simultaneously.

During treatment, the headrest position can be readjusted with one hand without having to put away an instrument.

#### Stay relaxed.

The headrest remains in the preset position with a par-allelogram height and tilt adjustment. The patient's head position does not need to be readjusted.

The patient remains relaxed.

The dentist can change their posture more frequently and prevents critical permanent strain on the spine, which causes muscle tension and fatigue.



#### Ritter Contact World. Expertise for sitting, standing, lying.

The footrest of the Ritter patient chair is raised synchronously with the backrest tilt. The elevated position supports the patient's circulatory system.

The anatomically shaped, tilt-adjustable seat surface and the unique pelvic-neck mechanism enable dynamic sitting/lying that is healthy for the back.

The hip point for each patient size is precisely measured. The patient does not have to slide during the transition to the lying position and thus does not disturb the treatment process.

## Ritter Accessories. Focus on quality.

A long workday is comfortably mastered with good equipment.

Exact illumination of your patient are the essential conditions for this.



Optionale Schutzabdeckung mit Patientenspiegel.

### Optimized workspace.

#### LED SunLite. Options.

As visual communication between dentist and patient is often required, a retractable mirror is available for Ritter SunLite. This allows the patient to follow the procedure.

An optionally available polymerization protection reduces the light intensity and prevents polymerization.

CoreWhite is a bleaching system that can be easily attached to the handle holder of the SunLite via plug & play. Free adjustment of the light intensity. Special filters remove infrared rays from the light pattern.

#### LED SunLite.

- LED-light with glare free luminosity
- Light intensity: 8.000 to 50.000 Lux
- High CRI value for particularly powerful colour rendering
- Colour temperature: 4.200 to 6.000 Kelvin
- Thanks to a special colour temperature control system SunLite improves colour contrast on soft fabrics and increases visual clarity and detail recognition
- Low heat generation
- The 10 LED sources ensure uniform and shadow-free illumination. The absence of shadows is achieved through the overlapping of a hundred individual light fields
- The light field is 7 x 14 cm at a distance of 70 cm with a sharp contour and no danger of blinding the patient
- Handles are removable / sterilisable
- Lamp can be rotated freely through 180°
- High mobility
- Silent operation with 0 db

#### MoonLite LED.

The optimised MoonLite convinces with a large light field of light and an even, shadow-free illumination of the working area.

The high light intensity of up to 50.000 lux at a colour temperature of 5.000 Kelvin produces a natural light without colour distortions.

The two handles can be removed, sterilised and autoclaved.

- LED-light with glare free luminosity
- Light intensity: 3.000 to 50.000 Lux
- CRI >95, for improved colour and light perception
- Constant colour temperature of 5.000 Kelvin
- Exact working light field: 20 x 10 cm (at 700 mm distance)
- 3-joint adjustability
- Brightness continuously adjustable

#### X-Ray: Leadex 70. Small X-ray machine. Directly on the treatment unit.

Microprocessor controlled, pre-programmed or individually programmable exposure times, one touch of a button is all it takes to switch from conventional (on X-ray film technology) to digital image capturing by means of sensor technology.

Pre-programmed keys for special exposures.

The unit is compatible with virtually all digital imaging systems.

- Easy to integrate
- Mounting on the unit, on the wall and on the ceiling possible
- For all needs of intraoral dental radiology
- Flexible, fast and safe solution a excellent small X-ray image directly at the directly at the treatment unit
- Compatible with standard films and digital X-ray sensors
- Sharp and high contrast images



## Ritter Stools. Flexible around the clock.

The Ritter working stools support you optimally in every working posture. They flexibly adapt to your posture - whether through the comfortable seat cushion, the free tilt adjustment or the gentle height adjustment

### Good posture gives security.



#### GiraFlex D (Dentists).

- Ergonomic seat tilt adjustment
- Individual pelvic tilt
- Silk matt look
- Velvety soft feel
- Seat core made of PUR foam element
- Resistant and hygienic
- Resilient to disinfectants
- D-PLUS with continuously height-adjustable back section
- Full leg freedom

#### GiraFlex A (Assistants).

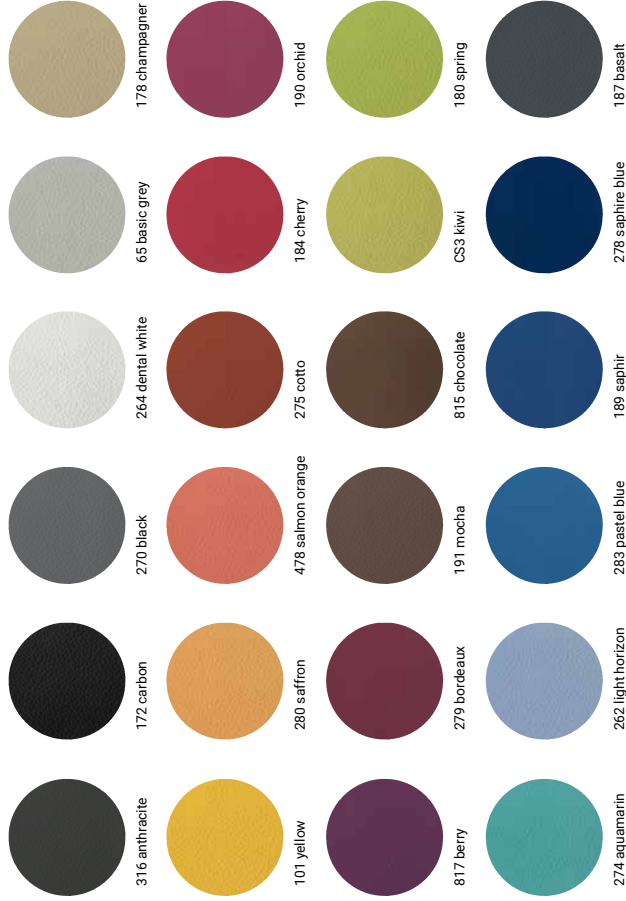
- Universally usable
- Infinitely height-adjustable backrest
- Seat core made of PUR foam element
- Resistant and hygienic
- Resistant to disinfectants
- Silk matt appearance
- Velvety soft feel
- A-PLUS with continuously height-adjustable back section

#### MobiloRest.

- Work chair with great variability
- Asymmetrical or symmetrical backrest to provide support for the working hand and the other hand optimal freedom
- Selectable for left- and right-handers:
- 156 for right-handers, / 156L for left-handers
- Option: foot control
- Hand control
- Full leg freedom



Ritter Contact World.  
Everyone has their favourite colour -  
we have them all.



#### Upholstery colours.

24 upholstery colours give your practice an individual touch. The vegan upholstery fabrics come with breathable Ritter comfort fabric as standard. The silky-soft feel and matt look convey cleanliness and freshness - without a „sticky feeling“.

Depictions may differ in colour and texture from actual leather.  
\*Not available in ViscoSit.

#### Unit body colours.

Special paint finishes for the entire unit as well as partial paint finishes for the water unit or cart are possible in all RAL colours and metallic colours.

The standard paint colour is RAL 9003 / signal white.



Ritter Contact World.  
Features and options.

#### Patient chair

- Trendelenburg movement
- Saving of positions
- Safety switch
- 1 articulated head rest mechanically
- 2 articulated head rest mechanically
- Children's head rest
- Left armrest
- Right armrest, swiveling
- Seamless upholstery
- ViscoSoft comfort cushion
- I-panel
- Pilot foot control
- External device connection

#### Dentist element

- 3-Functional syringe TopFlex
- 3-Functional syringe Luzzani
- 6-Functional syringe TopJet
- 6-Functional syringe Luzzani
- 1. Turbine device
- 2. Turbine device \*1
- 1. Motor SLM-E Typ 810 LED Ritter
- 2. Motor SLM-E Typ 810 LED Ritter
- ZEG Newton with LED
- ZEG EMS no pain LED
- ZEG Kolibri S oder E
- Quick couplings for instrument hoses
- Graphical display
- Multifunction panel
- 4 User levels for instrument/chair function
- Instrument spray heating
- Small x-ray film viewer
- Saline pump
- Holder for 2 standard trays \*2
- Pneumatic brake for arm system \*4

#### Assistant element

- Rinsing hood for instrument cleaning
  - 3-Functional syringe TopFlex
  - 3-Functional syringe Luzzani
  - Spray mist suction
  - Saliva ejector
  - LED polymerisation handpiece
  - 2-piece arm with control panel
  - 3-piece arm with control panel
  - Pneumatic selective holder
- #### Water unit
- Porcelain cuspidor
  - Swivelling cuspidor
  - ABS Aqua Bottle System
  - WEK System Metasys
  - Cup heating
  - Dürr MSBV for wet suction
  - Amalgam separator MSTI Metasys
  - Amalgam separator MSTI Metasys
  - Amalgam separator CAS1 Dürr
  - Automatic separation MSTI ECO Light Metasys
  - Automatic separation CSI Dürr
  - Additional double tray \*3

#### Small x-ray equipment

- Leadex 70 AC or DC \*7

#### Operating light \*8

- LED SunLite
- LED MoonLite

#### Stools

- Mobilrest 156/156L/158/150/150L/151
- Gira-Flex A (with backrest / footring)
- Gira-Flex D (with backrest / footring)

#### Multimedia

- Intraoral camera with USB connection
- Monitor Neovo \*5

- Standard
- Optional

\*1 Max. 3 drilling instruments (2 turbines / 1 motor or 1 turbine / 2 motors)  
if ZEG is waived, 2 turbines / 2 motors also possible

\*2 For swivelling bracket version, mounting  
for 1 standard tray is standard / for 2 standard trays is option

\*3 Only for C, HC and S variants

\*4 Only for S, H and HC variants

\*5 Monitor on the cart or on the surface-mounted pole of the workspace  
luminaire

\*6 On cart not in combination with Meilor

\*7 Not possible with C version or s swivelling spittoon bowl

\*8 Only 1 luminaire freely selectable